

Straightpoint

(UK) Limited

World Leaders In Load Monitoring Technology

Operators Instructions For:

Mini Weigher *plus*
Loadlink *plus*
Loadblock *plus*

For software version: 1.06 - 1.08

General Description

The Loadlink, Miniweigher and Loadblock plus's are advanced microprocessor controlled portable force measuring devices.

They feature a robust weatherproof construction, large easy-to-read display and a long battery life.

The devices are delivered ready to use, complete with a battery and certificate of calibration.

Robust carry cases are available to protect this device during transit and storage - ask your supplier for details.

Also available is a handheld display allowing control of this device at distances up to 2000 metres.

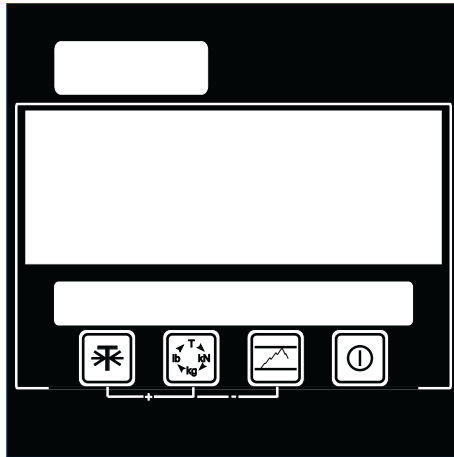
Getting Started

These devices are simple to use and will give long trouble free service if used as intended.

Before attempting to use the device ensure that the capacity of the unit is suitable for the task being undertaken.

The safe working load is shown on the front of each device. e.g. MAX. 5t x 0.001t has a maximum working load of 5 metric tonnes or 5000kg.

Keypad



Press this button for 3 seconds to turn the device on and off. The device will switch itself off if the load does not change for 20 minutes.



Press this button to initialize the peak hold facility. Once pressed the display will show “PH” This will make the display ‘freeze’ at the highest load recorded. Press the key again to switch off this function.

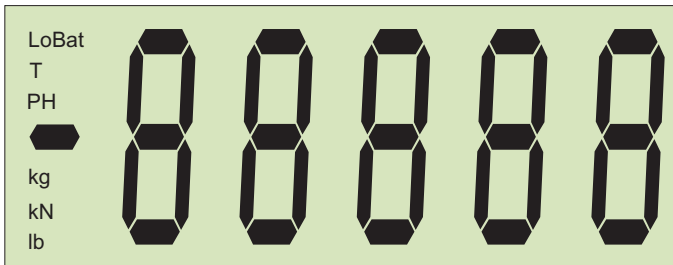


Press this button to toggle through the units of measure. Select from T - tonnes, kN - kiloNewtons, kg - kilograms or lb - pounds. The selected unit is shown on the display.



Pressing this button will tare the display. When in net mode the units annunciator will flash. Please see page four for details on setting a preset tare.

Annunciators



LoBat - This will display when the internal PP3 battery has 22% of capacity remaining.

T - This will display when the device is reading in tonnes.

PH - This will display when the device is in peak hold mode.

kg - This will display when the device is reading in kilograms.

kN - This will display when the device is reading in kilonewtons.

Lb - This will display when the device is reading in pounds.

Measuring A Load

Ensure that the device is switched on 10 minutes before loading, this will allow the temperature stability circuitry to acclimatise. Apply the load SLOWLY and watch the display on the device to ensure that the load applied is not greater than you had estimated.


Avoid shock loads. Do not apply large twisting forces to these devices as it may damage them beyond repair.

After use switch off, and, if removing the device from the test site clean and store ideally in a Straightpoint carry case.

If the device is to be stored for long periods of time please remove the battery.

Preset Tare

You may require to preset the tare on this device if, for instance, the tare button is not accessible because of a load suspended underneath.

First press the  button to put the device into net mode.

By pressing the  and  buttons the tare will increase

By pressing the  and  buttons the tare will decrease

User Configurable Settings

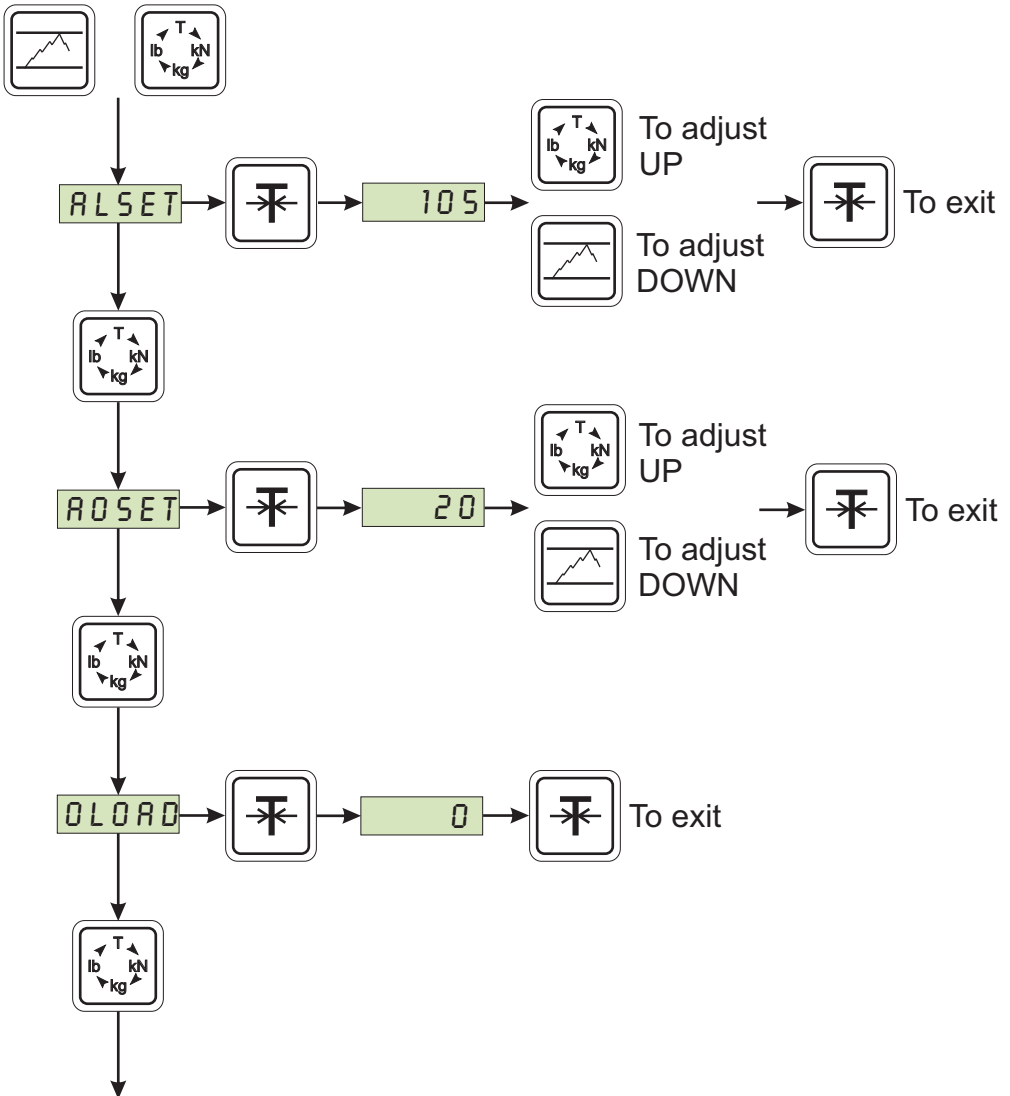
This device is programmed with three user configurable settings:

ALSET - The percentage of full load that the audible alarm will sound

ROSET - The amount of minutes without a button being pressed before the device will automatically switch off. This feature is disabled if set to 0

OLORD - The amount of times the device has been overloaded since last calibrated. (Read only)

To change these settings please follow the flowchart overleaf.



Exit menu with no changes

Battery Care

When the battery is getting low (22% remaining) “LOBAT” will show in the top left of the display.

When the battery is low it should be replaced with an alkaline 9 volt Pp3, MN1604, 6F22 or equivalent.

To change the battery remove the two screws holding the stainless steel battery plate on the rear of the device.

Now slide the battery holder out and remove the battery connection terminals.

Replace the battery and re-connect the terminals.

Ensure that the battery is firmly in position, correctly connected, and that the gasket sealing area is clean and dry before re-positioning.

Care And Faults

While these devices are sealed to IP65 standards they should not be immersed in water.

The effects of solvent on the device can not be guaranteed, and so should be avoided.

Avoid use within 20-30 minutes of rapid changes in temperature - for example moving the device from a cold vehicle into a warm room. The change in temperature can affect the accuracy of the device, the operating temperature is -10 to +50 centigrade.

Should the display show “ E R R O R ” remove the load immediately AS THIS INDICATES AN OVERLOAD SITUATION.

Check the load applied is within the safe working load of the device, if it continues to display overload contact your supplier.

Service And Calibration

These products are supplied with a certificate of calibration which is valid for one year.

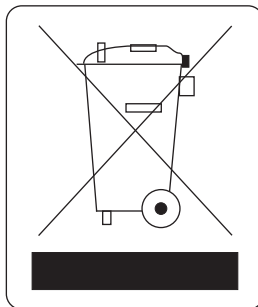
After this date it is recommended that the device is recalibrated by Straightpoint or an approved calibration laboratory.

Contact the Straightpoint service department or your supplier for more information.

In the unlikely event of this device failing, fit a new battery and re-test. Only when this has been done should you contact your supplier to report the fault. When reporting the fault it is important to give a full description of the problem and the type of application the device is being used for.

WEEE Statement

In the European Union, this label indicates that this product should not be disposed of with household waste. It should be deposited at an appropriate facility to enable recovery and recycling in accordance with legislation under the WEEE Directive (Directive 2002/96/EC)



Warranty

Straightpoint (UK) Ltd warranty this product against malfunction for a period of one year from manufacture.

Conditions of warranty:

- 1) The equipment is used as described exactly in the operators manual supplied.
- 2) Whilst we make every effort to ensure each device is calibrated before despatch Straightpoint (UK) Ltd do not accept responsibility for inaccurate readings indicated by this equipment.
- 3) In the event of malfunction the device is returned to the manufacturer -
Straightpoint (UK) Ltd
Clovelly Road
Southbourne
Hampshire
UK, PO10 8PE
- 4) If we consider any malfunction to be caused by misuse then this warranty is void and any repair will be charged for as applicable.

Straightpoint (UK) Ltd
Clovelly Road
Southbourne
Hampshire, PO10 8PE
United Kingdom
Te: ++44(0)1243 378921
Fax: +44(0)1243 377745
www.straightpoint.com
sales@straightpoint.com

Distributor: